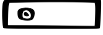

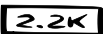
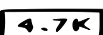

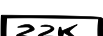

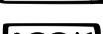
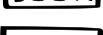

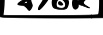
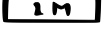
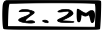


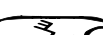


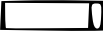



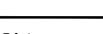


Dogvoice


	X 3	Jumper
	X 8	470R 1/4w Resistor
	X 4	2.2k 1/4w Resistor
	X 14	4.7K 1/4w Resistor
	X 6	10k 1/4w Resistor
	X 2	22k 1/4w Resistor
	X 4	47k 1/4w Resistor
	X 4	100k 1/4w Resistor
	X 8	220k 1/4w Resistor
	X 6	470k 1/4w Resistor
	X 11	1m 1/4w Resistor
	X 2	2.2m 1/4w Resistor
	X 8	0.001µF Poly (102)
	X 8	0.01µF Poly (103)
	X 2	Hairy Cap 0.01µF (103)
	X 3	1µF Electrolytic
	X 1	1N914/1N4148
	X 26	NPN Transistor
	X 8	PNP Transistor
	X 1	IC = TS914
	X 8	B10k Pot.
	X 2	Banana
	X 2	Banana


Power Section:

L7809 - LM7809 X 1

DC Barrel Jack - Center Positive X 1

 X 1 .1µF - MLCC or 104 Poly

 X 1 10µF - Electrolytic

 X 1 220µF - Electrolytic

 X 1 1N4001

**** Circled Side on all Electrolytics = Negative/Ground**

**** Hairy Capacitor: If using Electrolytic,**

Negative goes in the circled side.

